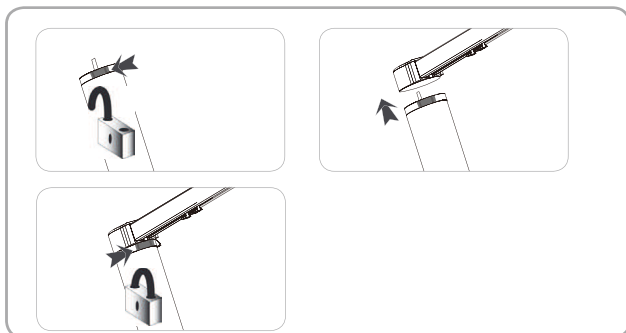


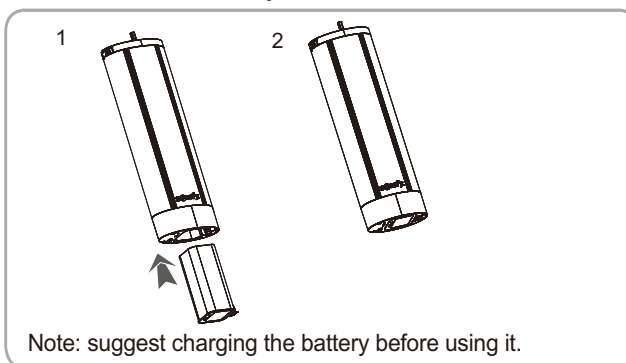
# Movelite WireFree RTS

## Quick Installation Guide

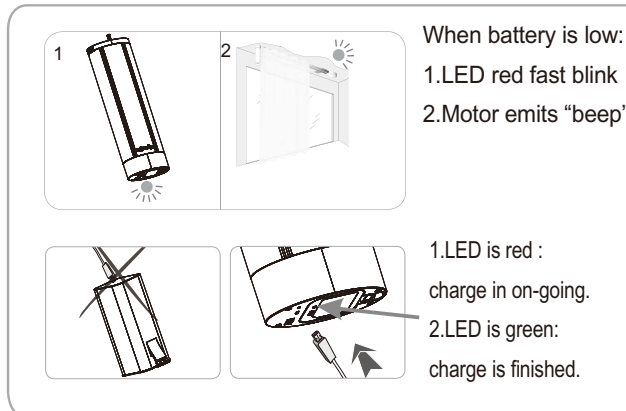
### 1. Connect motor to the Rail



### 2. Connect battery Pack

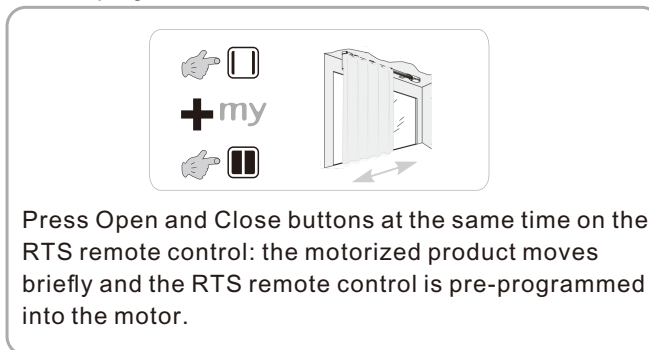


### 3. Charge the battery

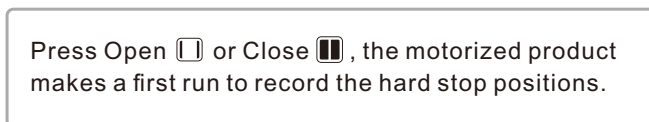


### 4. How to set

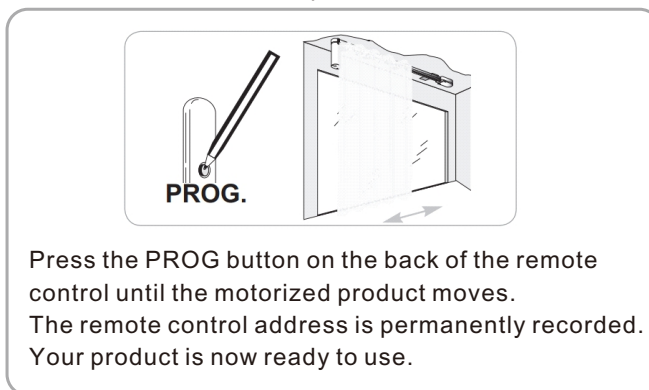
#### 4.1. Pre-program the RTS remote control



#### 4.2. Set the limits

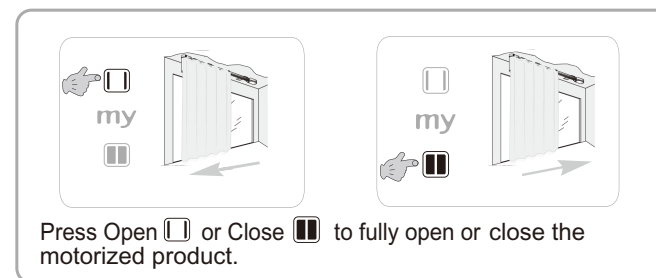


#### 4.3. Record the RTS control point

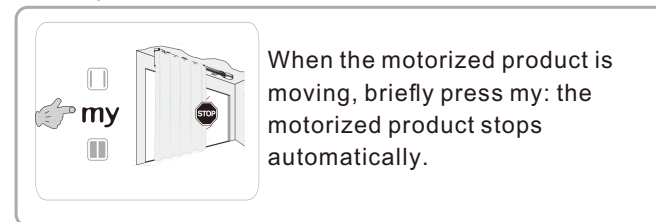


### 5. How to use

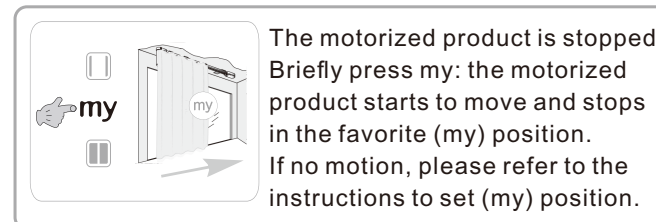
#### 5.1. Open / Close functions



#### 5.2. Stop function



#### 5.3. Favorite (my) position



### 6. Tips and recommendations

Observations	Possible causes	Solutions
The motorised product does not operate.	The battery pack is weak.	Check whether the battery pack is weak and charge it.
	The remote control battery is weak.	Check whether the battery is weak and replace it if necessary.
	The remote control is not compatible.	Check for compatibility and replace the remote control if necessary.
	The remote control used has not been programmed into the motor.	Use a programmed remote control or program this remote control.

Remarks: For the detailed information, please refer to the instructions.